



**21.5” 10pt Optical Bonded PCAP touchscreen monitor with IPS panel technology, edge-to-edge glass design, anti-fingerprint coating and metal housing**

The Full HD (1920x1080) monitor ProLite T2238MSC-B1 with IPS panel technology offers exceptional colors and wide viewing angles. The Optical Bonded Projective Capacitive (PCAP) 10-point touch technology ensures a seamless and accurate touch response and a lower light reflection, in addition, the display is protected against humidity and potential moisture development. A robust metal housing and a scratch-resistant 7H edge-to-edge glass with anti-fingerprint coating make the monitor particularly suitable for integration in demanding environments. The monitor meets also a IPX1 protection rating, making it waterproof for a period of time against dripping water.

The flexible stand can be positioned at several angles creating a comfortable and ergonomic user experience and the integrated cable management system hides all the cables and electrical wires giving a neat and cable-free workspace. The ProLite T2238MSC-B1 can be used in landscape, portrait and face-up orientation. A perfect solution for interactive signage, instore retail, POS and interactive presentations.



**Optical bonded PCAP**

The optical bonded projective capacitive (PCAP) touch technology reduces the air gap between the touch layer and the display making the touch response more accurate. It improves also the visual quality by reducing reflections and glare. In addition the display is protected against dust and potential moisture development.



**IPS Technology**

IPS displays are best known for wide viewing angles and natural, highly accurate colours. They are especially suited for colour-critical applications.

## 01 DISPLAY CHARACTERISTICS

<b>Design</b>	Edge to edge glass
<b>Diagonal</b>	21.5", 54.5cm
<b>Panel</b>	IPS
<b>Native resolution</b>	1920 x 1080 (2.1 megapixel Full HD)
<b>Aspect ratio</b>	16:9
<b>Panel brightness</b>	600 cd/m <sup>2</sup>
<b>Brightness</b>	525 cd/m <sup>2</sup> with touch
<b>Light transmittance</b>	87%
<b>Static contrast</b>	1000:1
<b>Response time (GTG)</b>	5ms
<b>Viewing zone</b>	horizontal/vertical: 178°/178°, right/left: 89°/89°, up/down: 89°/89°
<b>Colour support</b>	16.7mln
<b>Horizontal Sync</b>	30 - 83kHz
<b>Viewable area W x H</b>	479 x 260mm, 20.2 x 11.8"
<b>Bezel width (sides, top, bottom)</b>	17mm, 19.8mm, 19.8mm
<b>Pixel pitch</b>	0.249mm
<b>Bezel colour and finish</b>	black, matte

## 02 TOUCH

<b>Touch points</b>	10 (HID, only with supported OS)
<b>Touch method</b>	stylus, finger, glove
<b>Touch interface</b>	USB
<b>Supported operating systems</b>	All iiyama monitors are Plug & Play and compatible with Windows and Linux. For details regarding the supported OS for the touch models, please refer to the driver instruction file available in the downloads section.

## 03 INTERFACES / CONNECTORS / CONTROLS

<b>Digital signal input</b>	HDMI x1 DisplayPort x1
<b>Audio output</b>	Speakers 2 x 2W
<b>HDCP</b>	yes
<b>USB HUB</b>	x2 (USB3.2 Gen 1 (5Gbps, 5V, 900mA))

## 04 FEATURES

<b>Extra</b>	Optical bonding PCAP, metal housing, anti fingerprint coating, water proof touch function
<b>Glass thickness</b>	3.6mm
<b>Glass hardness</b>	7H
<b>60950 Ball drop test</b>	yes
<b>Water and dust protection</b>	IP1X (front)
<b>Housing (bezel)</b>	metal
<b>OSD key lock</b>	yes

## 05 GENERAL

<b>OSD languages</b>	EN, DE, FR, CN, RU, JP, NL, PL
<b>Control buttons</b>	Menu, Scroll up/ Eco, Scroll down/ Volume, Enter/ Input select, Power
<b>User controls</b>	Picture adjust (brightness, contrast, i-Style color, adv. contrast, ECO mode, OD, X-Res), color settings (gamma, RGB range, color. temp.), image settings (video mode adjust, blue light reducer, sharp & soft), OSD (H. pos., V. pos., time, background, rotate, language, display information), extra (reset, DDC/CI, signal select, volume, mute, led, opening logo, touch switch)
<b>Blue light reducer</b>	yes
<b>Plug&amp;Play</b>	DDC2B

## 06 MECHANICAL

<b>Orientation</b>	landscape, portrait, face-up
<b>Fanless design</b>	yes
<b>VESA mounting</b>	100 x 100mm

## 07 ACCESSORIES INCLUDED

<b>Cables</b>	power, USB, HDMI
<b>Guides</b>	quick start guide, safety guide
<b>Cable cover</b>	yes

## 08 POWER MANAGEMENT

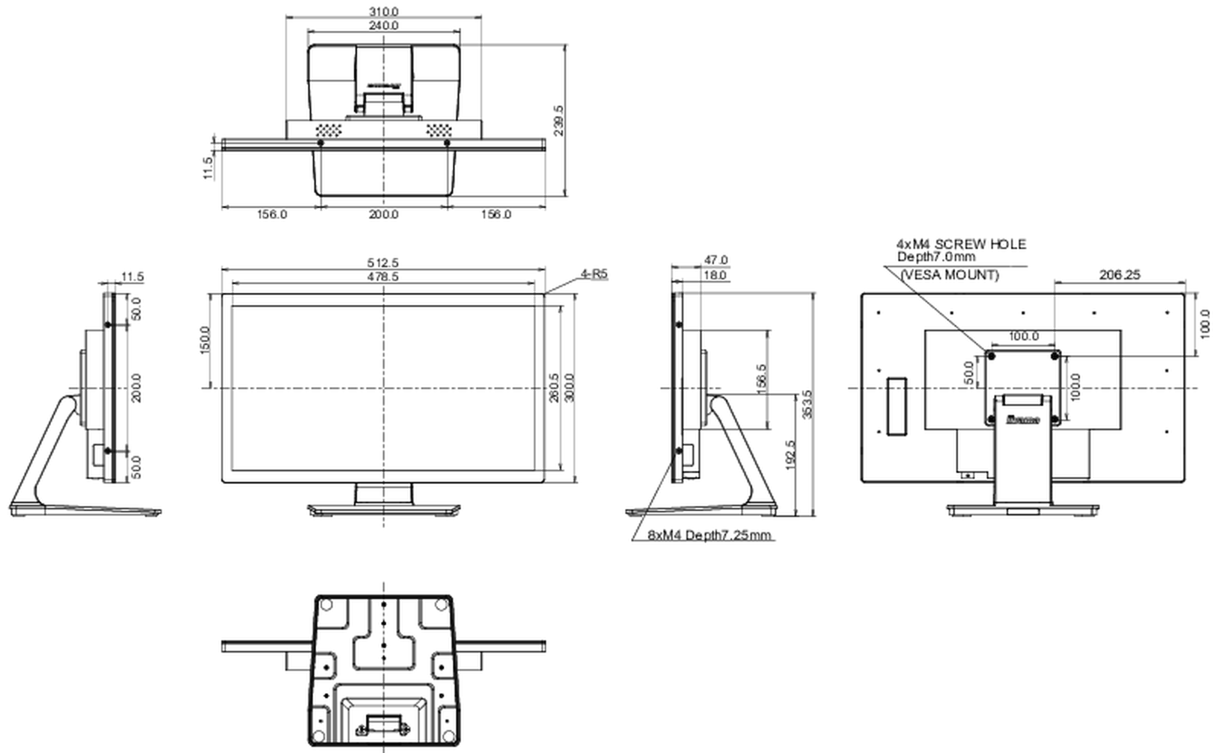
<b>Power supply unit</b>	internal
<b>Power supply</b>	AC 100 - 240V, 50/60Hz
<b>Power usage</b>	17W typical, 1.5W stand by, 0.3W off mode

## 09 SUSTAINABILITY

<b>Regulations</b>	CE, TÜV-Bauart, EAC, RoHS support, ErP, WEEE, REACH, UKCA, cTUVus
<b>Energy efficiency class (Regulation (EU) 2017/1369)</b>	D
<b>REACH SVHC</b>	above 0.1%: Lead

## 10 DIMENSIONS / WEIGHT

<b>Product dimensions W x H x D</b>	512.5 x 353.5 x 239.5mm
<b>Box dimensions W x H x D</b>	625 x 430 x 150mm
<b>Weight (without box)</b>	6.8kg
<b>Weight (with box)</b>	8.1kg
<b>EAN code</b>	4948570122899



All trademarks and registered trademarks acknowledged. E & O E. Specification subject to change without notice. All LCD's comply with ISO-9241-307:2008 in connection with pixel defects.

© IIYAMA CORPORATION. ALL RIGHTS RESERVED